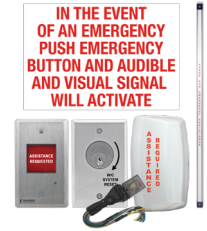


# CX-WEC13-TS

## Emergency Door Control Kit

### INSTALLATION INSTRUCTIONS



#### THIS PACKAGE INCLUDES:

- |  |                                |                                    |                               |
|--|--------------------------------|------------------------------------|-------------------------------|
| 1 - Tape Switch                          | 1 - CM-1205/14-60KD Key Switch | 1 - 2-28 x 5/16" PH Locking Screw  | 2 - 6-32 x 1" SS FLT HD Screw |
| 1 - CM-AF501SO LED Annunciator           | 2 - Foam Gasket                | 2 - Concrete Anchors               | 1 - Stainless Steel Faceplate |
| 1 - CM-AF141SO DomeLight w/ Sounder      | 1 - Oring                      | 2 - 3/16" Drywall Anchors          | 2 - Tamperproof Driver        |
| 1 - CX-LRS24 Relay Assembly              | 1 - Set of Labels              | 2 - Wire Nuts                      | 1 - Lock ring                 |
| 1 - CM-SE21 Emergency Assistance Signage | 1 - LED Base                   | 4 - 6-32 x 3/4" Self-Tapping Screw | 1 - 18 AWG soldered lead      |
|  | 1 - Lens                       | 2 - 6-32 x 3/4" Tamperproof Screw  |                               |
|  | 4 - 6-32 x 3/4" FH PH Screw    | 2 - 6-32 x 1" Tamperproof Screw    |                               |

#### 1. GENERAL DESCRIPTION

The CX-WEC13-TS Emergency Door Control Kit allows you to press the "PRESS FOR EMERGENCY ASSISTANCE" Tape Switch to signal for help by illuminating the "Assistance Requested" Annunciator and activating its sounder.

The CX-WEC13-TS includes a Tape Switch, CM-1205/14-60KD Key Switch Reset, CM-AF141SO Single Gang LED Dome Light Sounder, CM-AF501SO LED Annunciator with Sounder, CX-LRS24 Latching Relay System, and CM-SE21A Emergency Assistance Signage.

**Note:** CX-WEC13 Emergency Door Control System complies to OBC Regulation 368/13, Section 3.8.3.12.

#### 2. OPERATION AT A GLANCE

When you press the "PRESS FOR EMERGENCY ASSISTANCE" Tape Switch, it activates the CM-AF141SO light and sounder along the corridor to signal for help, and the CM-AF501SO LED Annunciator inside also activates to confirm that the action has taken place.

Once the emergency has been attended to, you can use the CM-1205/14-60KD Key Switch to reset the system.

#### Power

The CM-AF501SO, CM-AF141SO, and CM-1205/14 can be powered with either 12/24 VAC/VDC.

**Note:** When the CX-WEC13-TS is integrated with a Camden Restroom Control Kit, VDC power must be used to prevent the door strike from buzzing.

#### 3. SPECIFICATIONS

| Tape Switch "PRESS FOR EMERGENCY ASSISTANCE"  |   |
|---|---|
| Switch Type                                   | Momentary   |
| Activation Force                              | 5 lbs. (22 N) nominal                                       |
| Voltage & Current                             | 1 Amp Max @ 24 VAC/DC                                       |
| Operating Temp                                | 0 to 122°F (-18 to 50°C)                                    |
| Dimensions                                    | 33-1/2" H x 1-1/32" W x 1/2" D<br>(851mm x 26mm x 13mm)     |
| CM-1205/14-60KD Key Switch                    |   |
| Voltage                                       | 12-24VAC/DC   |
| Contact Rating                                | 6A @ 30VDC (Standard)                                       |
| Switch Life                                   | 100,000 cycles  |
| Temp Range                                    | 32°F - 185°F (0°C - 80°C)                                   |
| Standard Finish                               | Stainless Steel   |
| Dimensions                                    | 4-1/2" H x 2-3/4" W x 1-1/2" D<br>(114mm x 70mm x 38mm)     |
| CM-AF141SO Single Gang LED Dome Light Sounder |   |
| Voltage                                       | 12V to 24VAC/DC   |
| Illumination                                  | LED   |
| Current Draw                                  | 70mA Max.   |
| Sounder                                       | Piezo, 93dB @ 1m Max. (3 ft.)                               |
| Dimensions                                    | 4-9/16" H x 2-15/16" W x 2-1/16" D<br>(115mm x 75mm x 53mm) |
| CM-SE21 Emergency Assistance Signage          |   |
| Dimensions                                    | 12-1/2" H x 8-1/2" W<br>(317.5mm x 215.9mm)                 |

# CX-WEC13-TS Emergency Door Control Kit

INSTALLATION INSTRUCTIONS

| CM-AF501SO LED Annunciator with Sounder |  |
|---|--|
| Voltage                                 | 12V to 30V AC/DC                                       |
| Illumination                            | LED  |
| Current Draw                            | 30 - 75mA  |
| Temp Range                              | 32°F - 176°F (0°C - 80°C)                              |
| Sounder                                 | Adjustable, 85dB @ 10cm max.                           |
| Dimensions                              | 4-1/2" H x 2-3/4" W x 9/16" D<br>(114mm x 70mm x 15mm) |

| CX-LRS24 Latching Relay System |   |
|--------------------------------|---|
| Voltage                        | 24V AC/DC   |
| Current Draw                   | 70mA Max  |
| Inputs                         | 1 x NC Dry, 1 x NO Dry                                      |
| Outputs                        | 1 x NC Dry, 1 x NO Dry                                      |
| Contact Rating                 | 5A @ 30 VDC   |
| Electrical Life                | 100,000 @ Rated Capacity                                    |
| Dimensions                     | 1-1/16" H x 13-13/16" W x 27/32" D<br>(27mm x 351mm x 21mm) |

## 4. DIMENSIONS

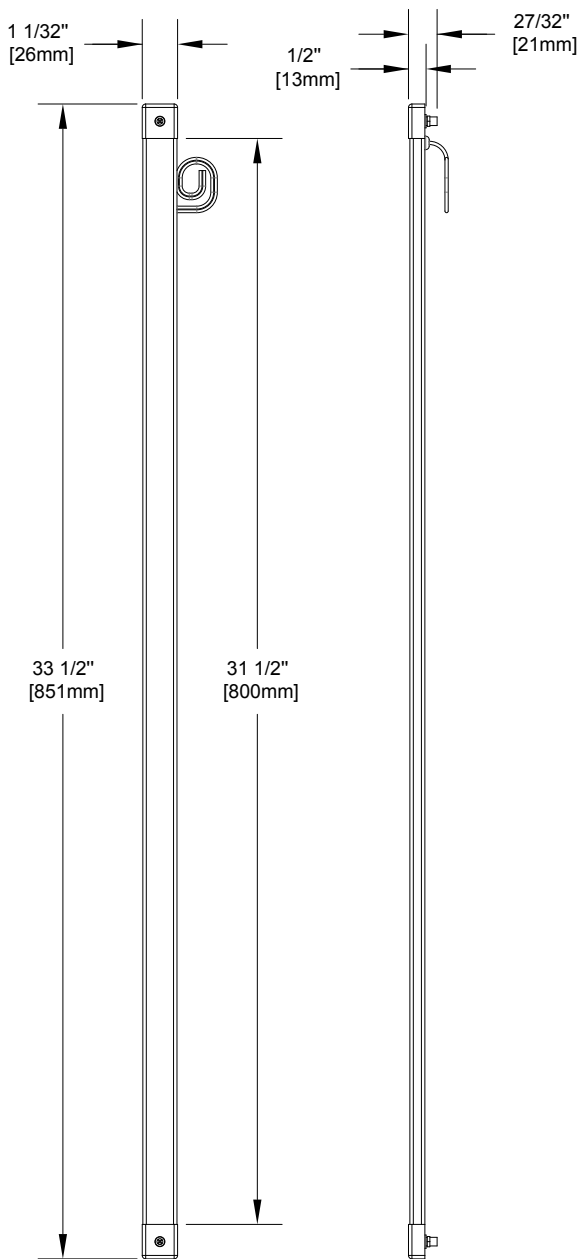


Figure 4.1 Tape Switch Dimensions

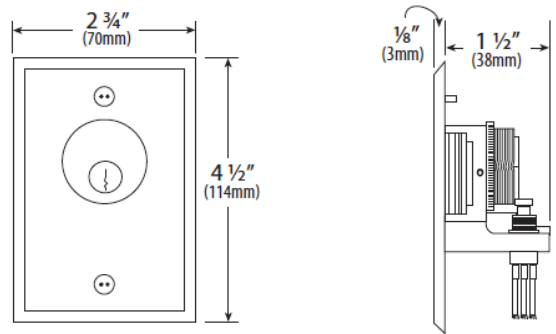


Figure 4.2 1205/14 Dimensions

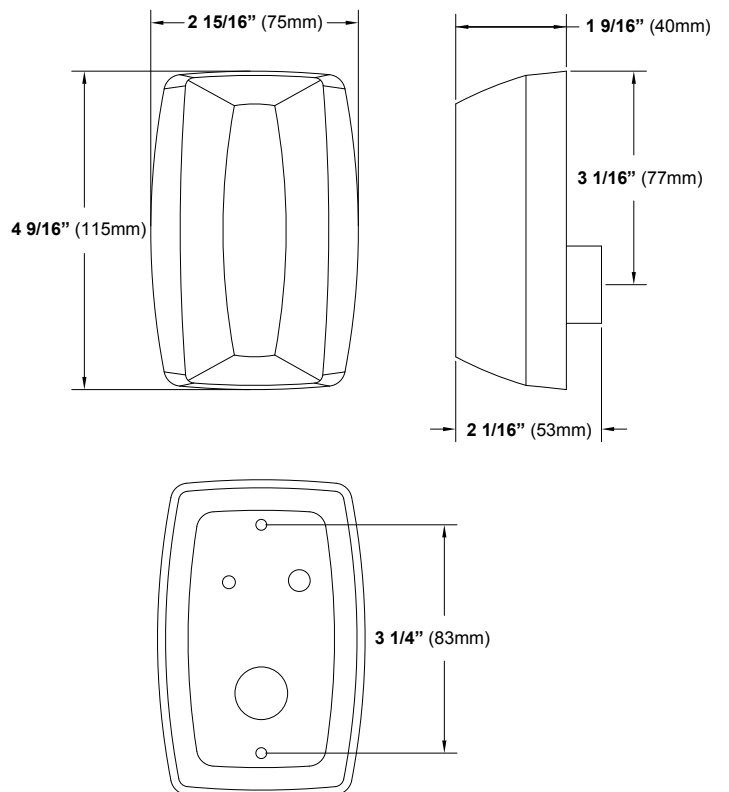


Figure 4.3 CM-AF141SO Dimensions

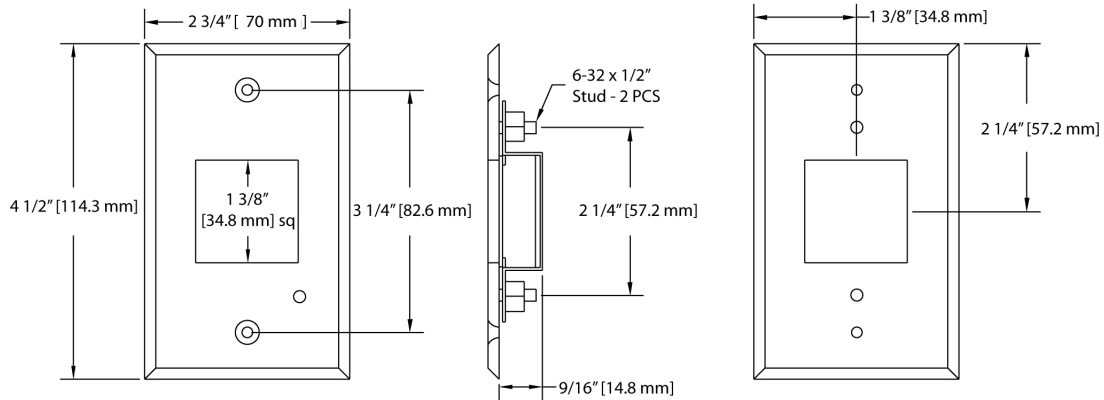


Figure 4.4 CM-AF501SO Dimensions

## 5. INSTALLATION

### Tape Switch Installation

1. Determine the location of the Tape Switch.

**Note:** As per "R-2.3.8 (8)" Emergency Call System of the Toronto Accessibility Design Guidelines: "Universal washrooms should provide an emergency call system that: (g) Has operable portions or controls consisting of a vertical emergency push strip extending between 200 mm to 1050 mm A. F. F. and located within 500 mm of the water closet."

2. Mark the holes for wiring and the two mounting screws.
3. Use a 7/64" or #35 drill bit to drill the two mounting through holes.
4. Use a 23/64" drill bit to drill the hole for wiring.
5. Place the Tape Switch on the wall to match the wiring and through holes.
6. Insert the wiring.
7. Secure the Tape Switch with the two 6-32 x 3/4" screws through the washer, lock-washer, and nut on the other side. (See Figure 5.1)

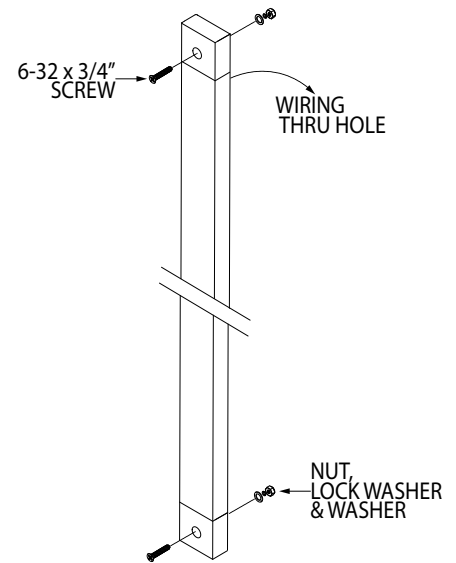


Figure 5.1 Tape Switch Installation

### CM-AF501SO Installation

CM-AF501SO provides an illuminated signage with an audible indicator. It is supplied with a stainless steel faceplate that can be mounted to a single gang electrical box with only 1/2" depth required.

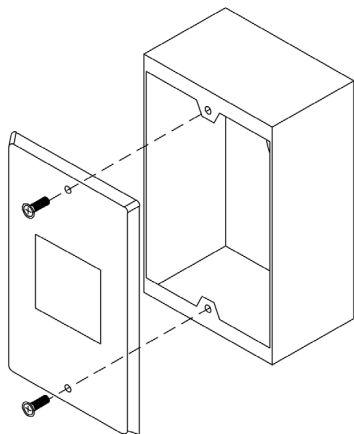


Figure 5.2 CM-AF501SO Installation

### CM-AF501SO Sound Volume Adjust

Using a small phillips screwdriver, gently turn the volume adjustment counter-clockwise to reduce the volume and clockwise to increase the volume.

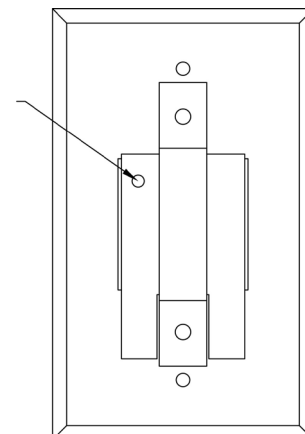


Figure 5.3 Volume Adjustment

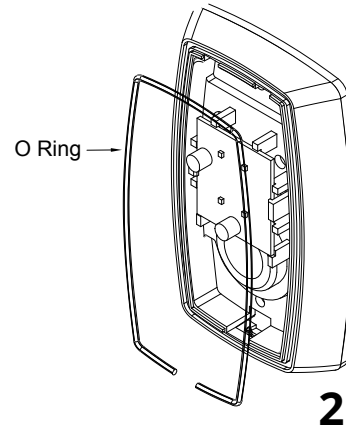
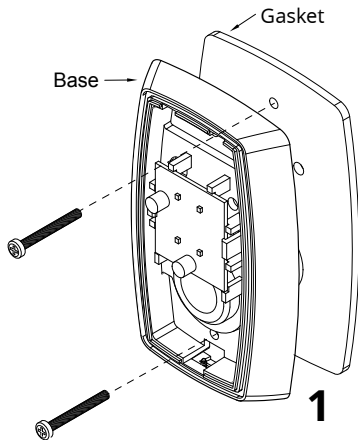
# CX-WEC13-TS Emergency Door Control Kit

## INSTALLATION INSTRUCTIONS

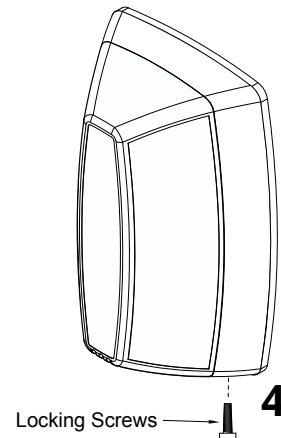
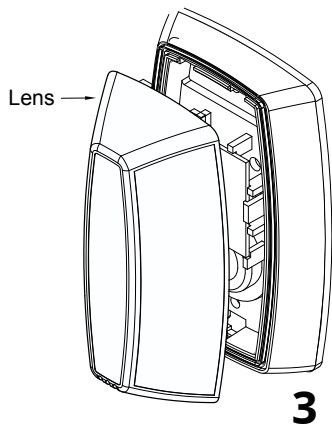
### CM-AF141SO Installation

The CM-AF141SO Corridor Lamp provides both visual and audible annunciation. It mounts to a standard single gang electrical box.

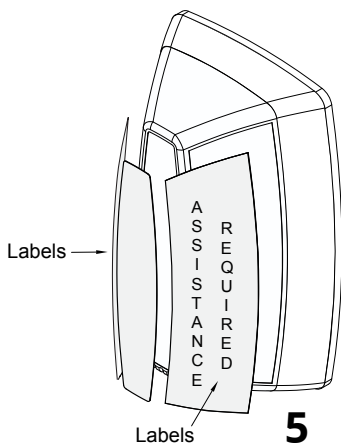
1. Place the supplied gasket between the base unit and the electrical box. Use the 6-32 x 3/4" screws to fasten the base to the electrical box.
2. Insert the O-ring gasket into the small channel in front of the base. The O-ring does not completely close around the base. You must leave a small opening at the bottom of the base.



3. Install the lens by inserting the large bottom tab first. The top tabs will snap in place with little effort.
4. Insert and tighten the 2-28 x 5/16" phillips locking screw into the bottom of the base to secure the lens.



5. Apply the labels as required to the lens.



### Sound Volume Adjust

Using a small phillips screwdriver, gently turn the volume adjustment counter-clockwise to reduce the volume and clockwise to increase the volume.

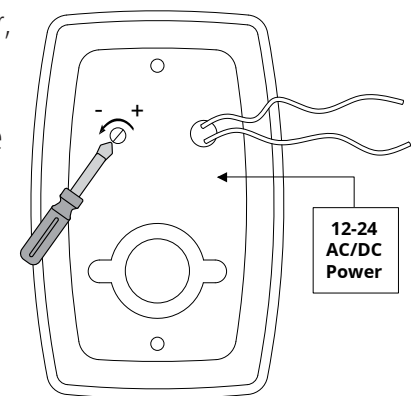


Figure 5.4 Volume Adjustment

## CX-1205/14 Installation

The CM-1205/14-60KD is a Key Reset Switch with a single SPST (Single Pole Single Throw) Momentary NC (Normally Closed) contact block. Insert and secure the wiring into the top and the bottom screw terminals of the contact block.

The CM-1205/14-60KD is supplied with a stainless steel single gang faceplate for door jamb mounting and can be easily mount to a single gang electrical box.

1. Fit the aluminum bracket against the stud on the back of the face plate. Insert the mortise cylinder through the front of the faceplate while aligning the grooves on the sides of the cylinder with the corresponding "Retainers" on the aluminum bracket (See Figure 5.5). Some cylinders may appear not to fit. If the grooves on the side of the cylinder are irregular and do not align with the retainers on the bracket, use a metal file to file down the retainers slightly.  
**Note: Do not file the retainers off completely as they prevent the cylinder from spinning in the face plate.**
2. Thread the brass cylinder lock ring onto the back of the cylinder and tighten to secure the aluminum bracket in place.
3. The switch(es) provided may be mounted in either the left or the right hole on the aluminum bracket. Thread the octagonal nut (spacer ring) on to the bushing (stem) of the switch before placing the switch in the hole.
4. Insert the switch up through the bottom of the desired hole. Secure the switch in place by screwing the round threaded washer onto the top of the switch.
5. Turn the key in the cylinder and ensure the cam lines up with the top of the switch squarely in the center. Adjust the switch in the slotted hole until the cam lines up with in the center of the switch. It does not affect operation of the cam if the cylinder rests against the switch, so long as the switch is not fully depressed until activated by a turn of the key. If the cam does not depress the switch, or blocks the switch, as needed. Extra spacers are provided and may be used as required.
6. Once the electrical connectors are completed (See Figure 6.1), if necessary, attach the unit to the switch box, wall, or receptacle box using the supplied tamperproof or stainless steel Phillips screws.

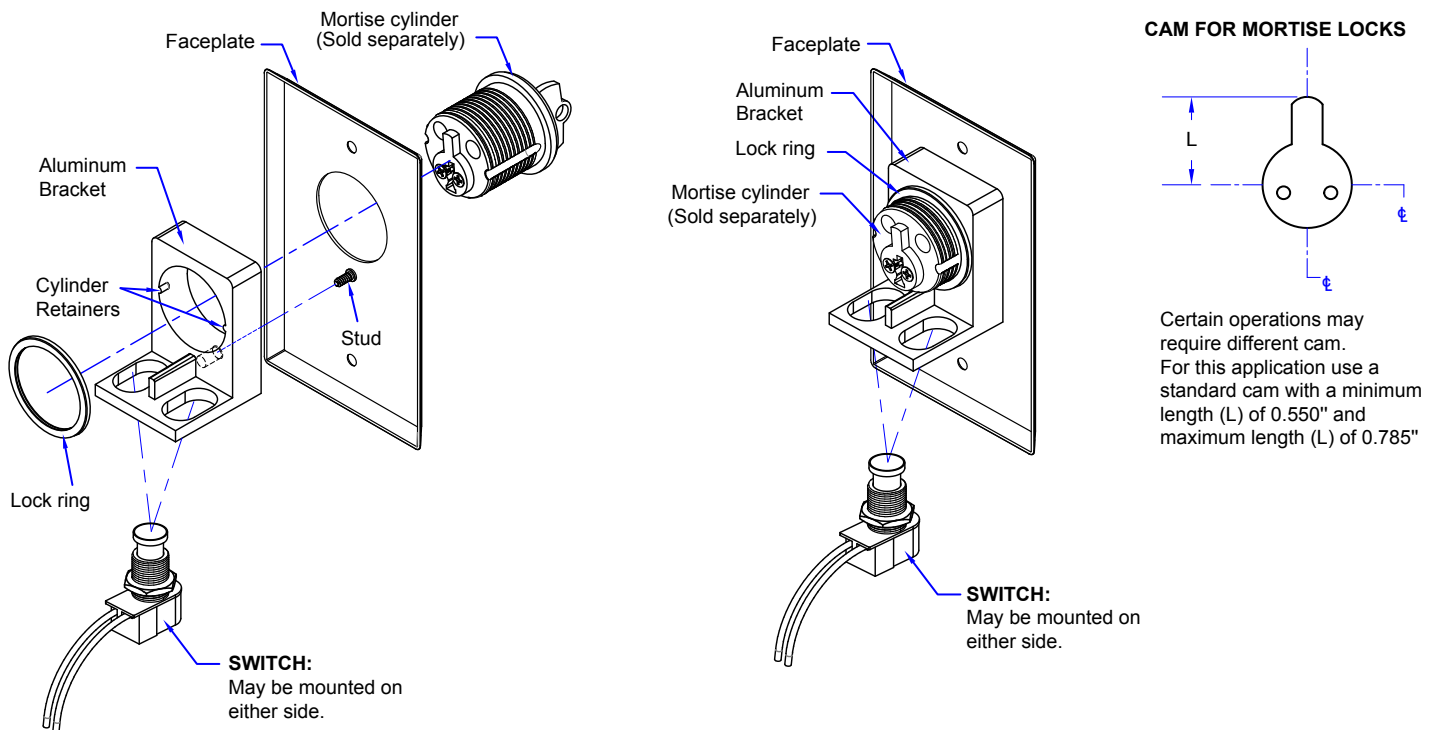


Figure 5.5 1205/14 Rear View Installation Details

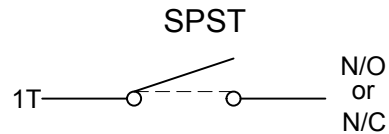
# CX-WEC13-TS Emergency Door Control Kit

INSTALLATION INSTRUCTIONS

## 6. WIRING

### CX-1205/14 Wiring Layout & Color Coding

| SWITCH TYPE     | SPST<br>MOMENTARY<br>N.O. or N.C |
|-----------------|----------------------------------|
| Common          | Black                            |
| Normally Open   | Black                            |
| Normally Closed | Black                            |



**Momentary:** When the switch is pressed the current pole will change to the opposite state until released.

### CX-LRS24 Latching Relay System

CX-LRS24 provides a latched output for the momentary Call for Emergency Assistance device input. Two outputs are provided for interfacing to external equipment: 1 x NO (Normally Open) and 1 x NC (Normally Close) outputs. The NC push button contact switch CM-1205/14 is required to reset the relay.

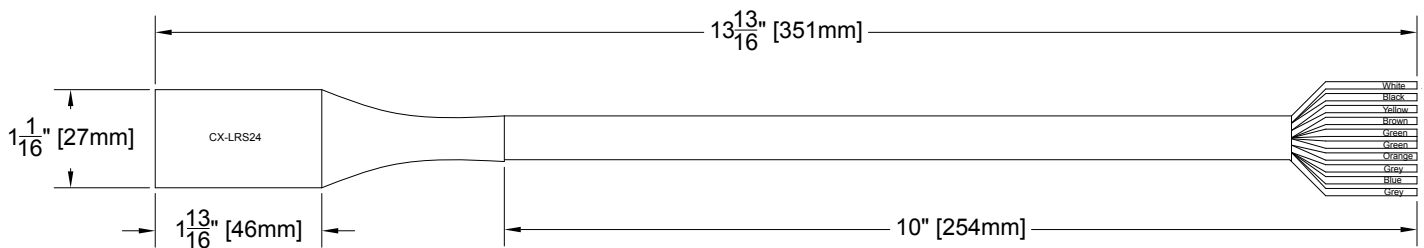
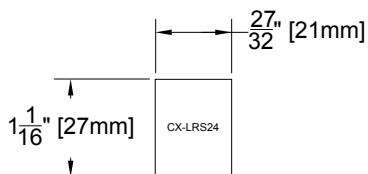
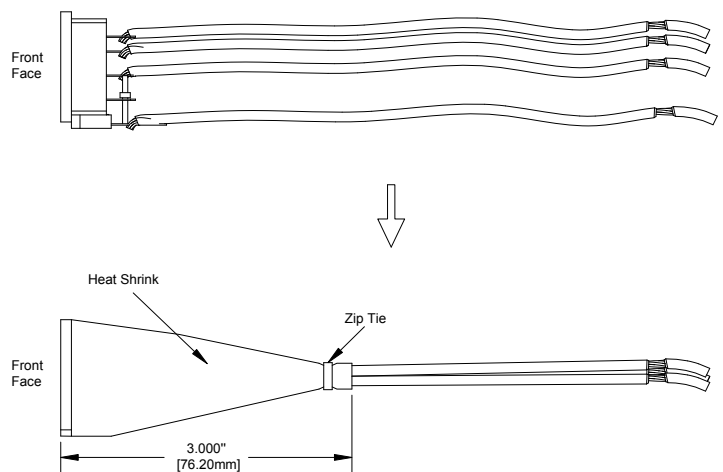
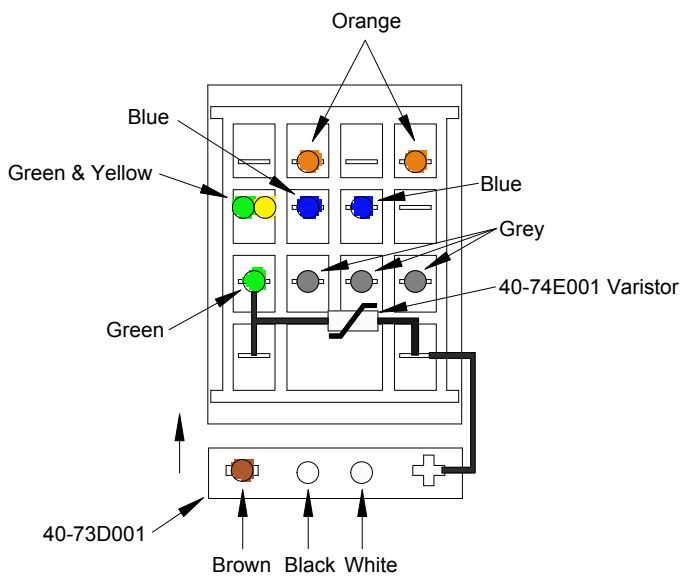


Figure 6.1 CX-LRS24 Mechanical & Wiring Diagram

**Wiring the CX-WEC13-TS Emergency Door Control Kit**

Figure 6.2 CX-WEC13-TS Wiring Diagram (below) displays how the Tape Switch, CM-AF501SO, CM-AF141SO, and CM-1205/14-60KD connect to the CX-LRS24 and power supply.

**Note:**

Some Door Operators provide excessive voltage levels above their posted values. Always measure voltages provided on both the VDC & VAC scales first before applying power to any part of the Emergency Control Kit.

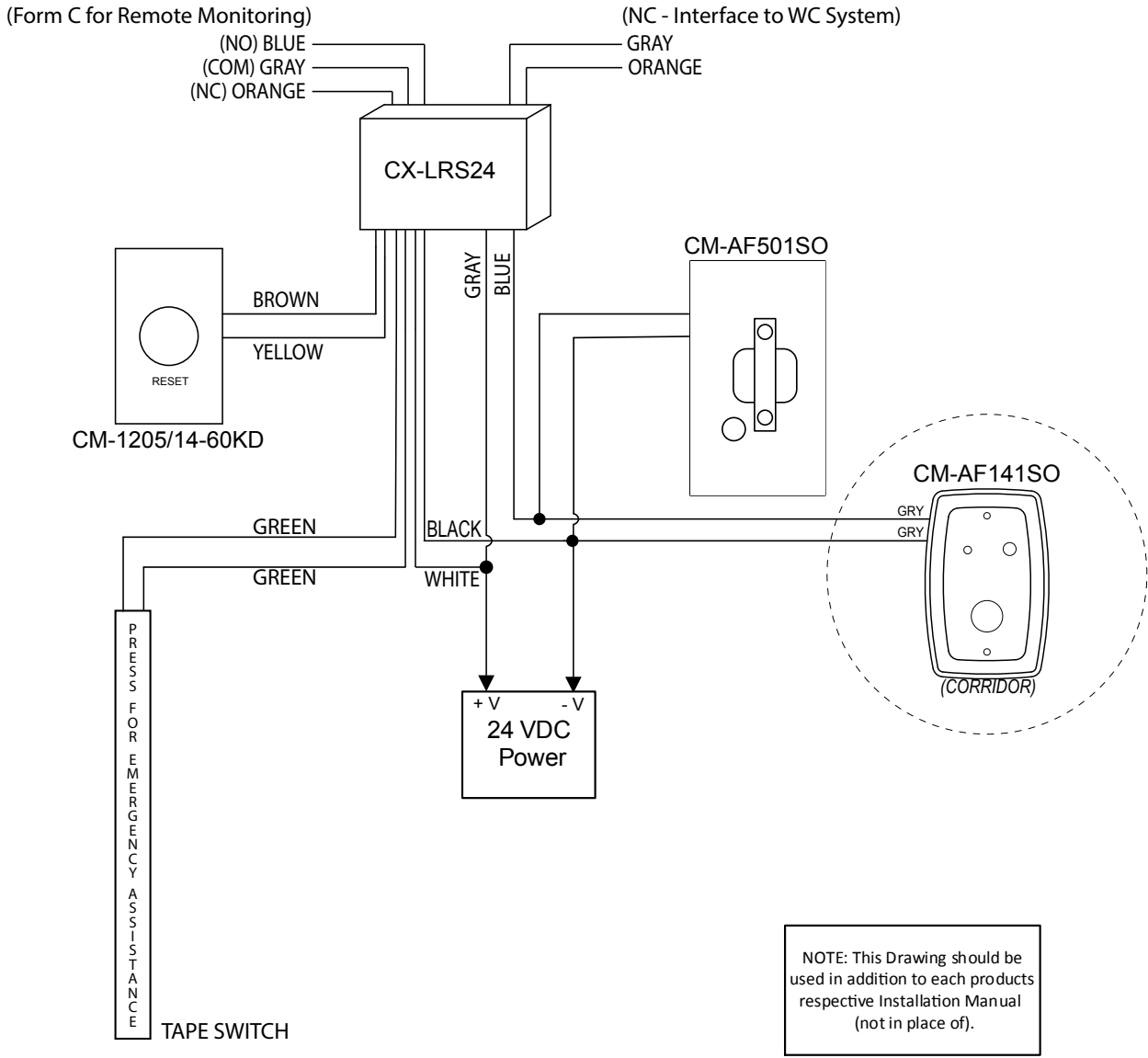


Figure 6.2 CX-WEC13-TS Wiring Diagram

# CX-WEC13-TS Emergency Door Control Kit

INSTALLATION INSTRUCTIONS

## 7. ORDERING INFORMATION FOR REPLACEMENT PARTS

| Part Number                   | Description   |
|-------------------------------|---|
| 60-68B010                     | Tape Switch 33.5" Red "Press For Emergency Assistance"  |
| CM-SE21                       | Eng. Solid White Bd. OBC WEC Sign, 12.5" x 8.5"   |
| CM-AF501SO                    | LED Annunciator S/S 12/24VDC 'Assist Requested' w/ Sounder  |
| CM-1205/14-60KD               | SPST MOMENTARY CONTACT SWITCH, N/C 6A @125V AC, 3A@ 30V DC  |
| CX-LRS24                      | 24V Latching Relay Assembly for Camden CX-WEC Call System   |
| 60-32E141                     | CM-AF141SO SG, DomeLight, W/Sounder, Screened   |
| CM-AF141SO Replacement Parts: |   |
| 60-31A080                     | LED PCB Board 18-30 VAC/VDC for CM-AF141SO  |
| 60-42K003                     | Styrene White Adapter Plate   |
| 60-42C027-A                   | Plastic-Dome Lens with English Label "Assistance Required"  |
| 60-42C027F-A                  | Plastic-Dome Lens with French Label   |
| 60-42C027FE-A                 | Plastic-Dome Lens With French & English Labels  |
| 60-81A012                     | 6"x 2" Clear Lexan .010 Print Red English Label   |
| 60-81A005                     | 6"x 2" Clear Lexan .010 Print Red French Label  |
| 60-81A004                     | 6"x 2" Clear Lexan .010 Print Red Bilingual Label   |
| 60-34B075                     | CM-AF141SO Parts Kit:<br>6-32 x 3/4 Flat Head Phillips Zinc Plated Screw (2pcs)<br>#6 x 3/4" Steel Pan Head Phillips Zinc Screw (2 pcs)<br>5/16" Phillips Rounded Head Screws (1 piece)<br>Yellow/Grey Plastic Anchors 3/16" (2 pcs)<br>Expanded Green PVC Anchors 10-24 Screw (2 pcs)<br>Grey Plastic Wire Nut c/w Spring (2 pcs)<br>Cut Cord (EPDM Durometer Cord CM-AF141SO) (1 piece) |



| CM-1205/14 Replacement Parts:   |   |
|---------------------------------|---|
| 60-40G011                       | Aluminum Bracket  |
| 60-49B047                       | Stainless Steel (Single Gang) Faceplate for Flush Mount Key Switches  |
| 60-34B048                       | CM-1205/14-60KD Parts Kit:<br>6-32 X 3/4 SNAKE EYE TAMPER PROOF SCREWS (SNAKE EYE)<br>6-32 X 3/4 PHILLIPS OVAL HEAD ZINC PLATED SCREWS<br>CYLINDER LOCK RING<br>KEY FOR TAMPER PROOF SCREWS (SNAKE EYE) |
| 60-68D048                       | SPST MOMENTARY CONTACT SWITCH, N/C 6A @125V AC, 3A@ 30V DC  |
| CM-1000/60KD                    | Mortise Cylinder 1 1/8", Keyed Different (Sold Separately)  |
| Compatible Mounting Box Options |   |
| CM-34AL                         | SINGLE GANG ALUMINUM BOX, SURFACE MOUNT<br>2 7/8"W X 4 5/8"H X 2"D (73MM X 117MM X 51MM)  |
| CM-66                           | FLUSH BOX & DRESS PLATE, STANDARD DEPTH BOX WITH 7" X 7" DRESS PLATE<br>HEAVY GAUGE STAINLESS STEEL   |
| CM-31                           | SLEEVE COVER FOR STANDARD 2-3/4 X 4 X 1/4" (69MM X 110MM) SURFACE ELECTRICAL BOX.<br>HEAVY GAUGE STAINLESS STEEL  |
| CM34BL                          | SINGLE GANG BLACK ABS BOX, SURFACE MOUNT<br>2-7/8" W X 4-5/8" H X 1-3/4" D (73MM X 117MM X 44MM)  |